

DANA 44 FRONT GLIDE PLATE KIT RS6228

Parts List

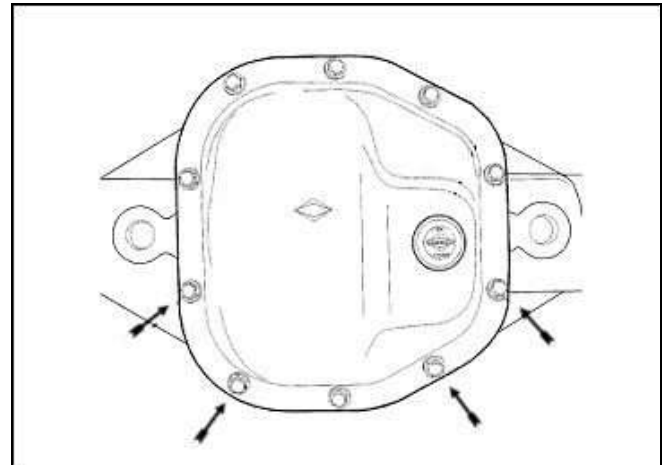
| <u>PART NO.</u> | <u>DESCRIPTION</u> | <u>QTY.</u> |
|-----------------|------------------------------|-------------|
| 176482 | Glide Plate | 1 |
| 860664 | U-bolt Hardware Kit | 1 |
| 740028 | 5/16-18 x 3.56 x 5.63 U-bolt | 1 |
| 7670 | HHCS 5/16-18 x 1.0 | 4 |
| 7642 | 5/16 SAE Washers | 4 |
| 7733 | 5/16 USS Washers | 2 |
| 7768 | 5/16-18 Nylock Nuts | 2 |
| 88628 | Instructions | 1 |



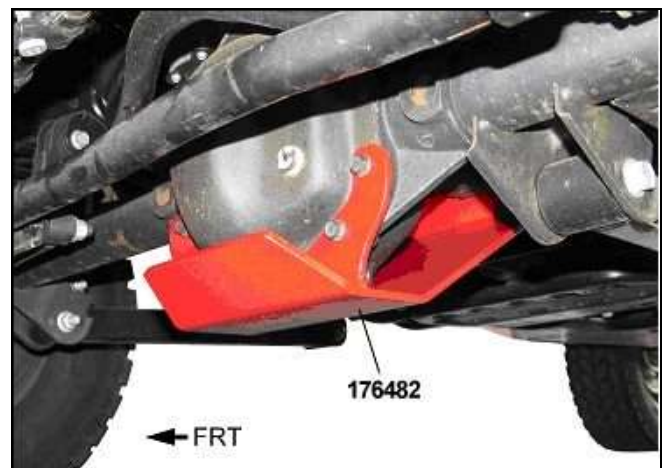
Illus. 1

NOTE: This glide plate will only fit Jeep equipped with the low pinion Dana 44 front differential.

- 1) Remove four bolts from the bottom of the front differential as shown in illustration 2. Do not remove cover.
- 2) Attach glide plate RS176482 to the differential cover with the supplied hardware.
- 3) Place u-bolt RS740028 over the back of the differential.
- 4) Attach u-bolt to glide plate with the supplied hardware from kit RS860664.
- 5) Tighten nylock nuts to 30 ft. lbs. Inspect cover for fluid leaks periodically.
- 6) If a leak is detected, remove and reseal cover per manufacturer's recommendations.



Illus. 2



Illus. 3