

RANCHO *rockGEAR*™ — RS6227 Front Differential Glide Plate
 Fits 2006-1997 Jeep Wrangler TJ Dana 30 Front Axle

NOTE: This glide plate will only fit Jeep equipped with the low pinion Dana 30 front differential.

READ ALL INSTRUCTIONS THOROUGHLY FROM START TO FINISH BEFORE BEGINNING INSTALLATION

P/N	DESCRIPTION	QTY.
RS176564	Glide plate	1
RS860640	Hardware Kit	1
RS7698	5/16-18 x 1.00 HHCS	5
RS7642	5/16 SAE Washer	5
RS42702	Thread Lock	1
RS860643	U-bolt Hardware Kit	1
RS740028	5/16-18 U-bolt	1
RS7671	5/16-18 Nut	2
RS7768	5/16-18 Nylock Nut	2
RS7733	5/16 USS Washer	4
RS88627	Instruction	1

- 1) Remove four bolts from the bottom of the front differential. See illustration 1. Do not remove cover.
- 2) Apply thread lock and attach glide plate RS176564 to the differential cover with the hardware from kit860640. Tighten bolts to 20 ft. lbs. See illustration 2.
- 3) Thread 5/16 hex nut from kit RS860643 to end of U-bolt threads and place U-bolt RS740028 over the back of the differential. See illustration 3.
- 4) Attach U-bolt to glide plate with the USS washers and nylock nuts from kit RS860643.
- 5) Tighten nylock nuts to 20 ft. lbs. Tighten hex nut against glide plate to 20 ft. lbs.

NOTE: Inspect cover for fluid leaks periodically. If a leak is detected, remove and reseal cover per manufacturer's recommendations.

Torque Specs

Glide Plate to Diff Cover Bolts	20 ft. lbs
U-Bolt Nuts	20 ft. lbs

www.gorancho.com

Rancho Technical Department 1-734-384-7804.

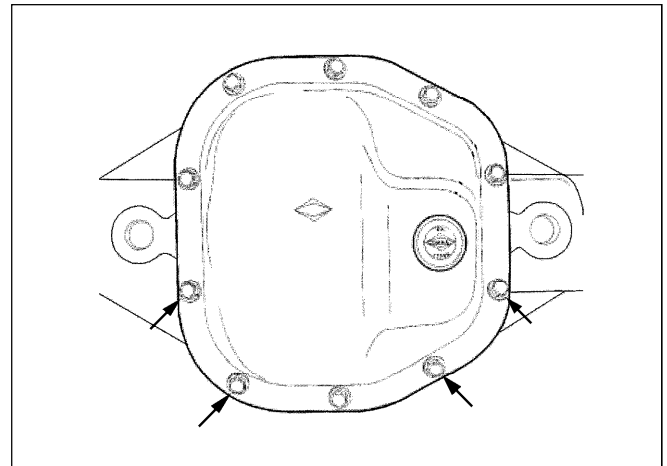


Illustration 1

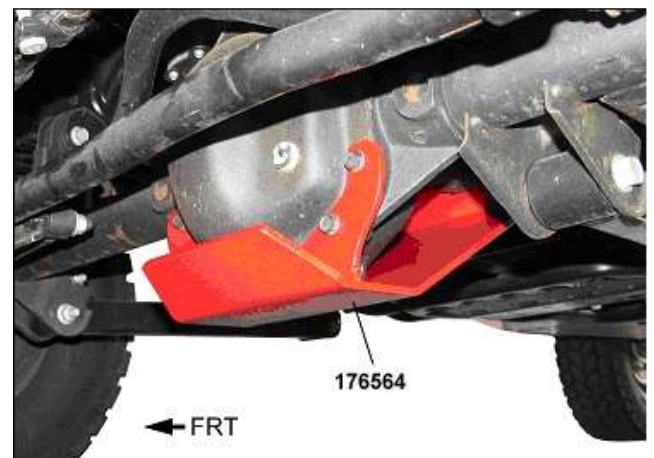


Illustration 2

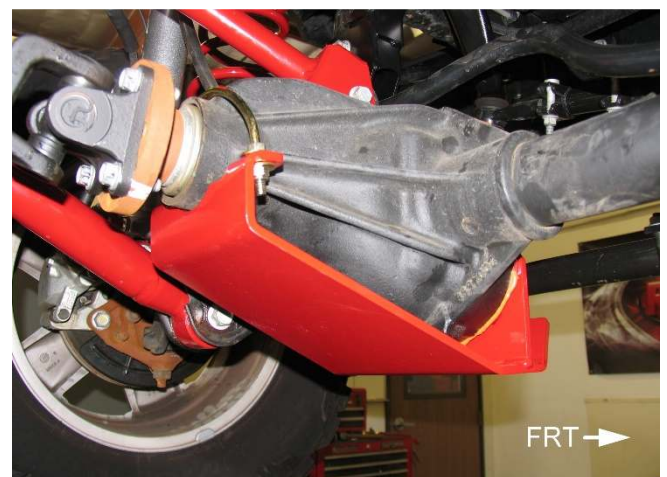


Illustration 3