



Attention: on RHD vehicles – the steering stabilizer must be moved from below the tie rod to a high clearance location to use this part. Rancho p/n RS64100 high clearance bracket with RS5401 steering stabilizer can be used to achieve this

READ ALL INSTRUCTIONS THOROUGHLY FROM START TO FINISH BEFORE BEGINNING INSTALLATION

P/N	DESCRIPTION	QTY.
RS176571	Glide plate	1
RS860640	Hardware Kit	1
RS7698	5/16-18 x 1.00 HHCS	5
RS7642	5/16 SAE Washer	5
RS42702	Thread Lock	1
RS860643	U-bolt Hardware Kit	1
RS740028	5/16-18 U-bolt	1
RS7671	5/16-18 Nut	2
RS7768	5/16-18 Nylock Nut	2
RS7733	5/16 USS Washer	4
RS88622	Instruction	1

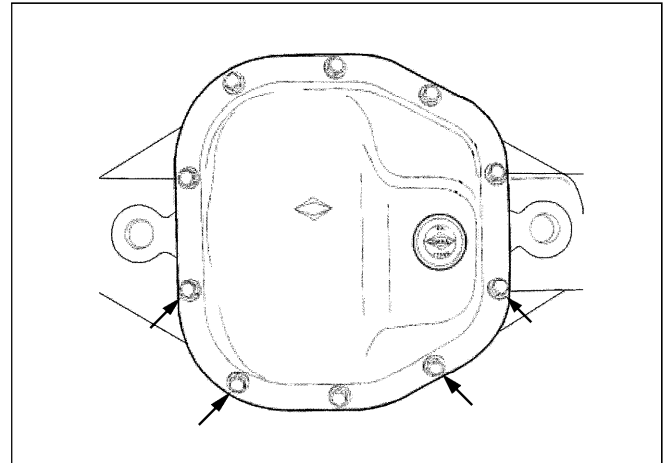


Illustration 1

1) Remove four bolts from the bottom of the front differential. See illustration 1. Do not remove cover.

2) Apply thread lock and attach glide plate RS176571 to the differential cover with the hardware from kit RS860640. Tighten bolts to 20 ft. lbs. See illustration 2.

3) Thread 5/16 hex nut from kit RS860643 to end of U-bolt threads and place U-bolt RS740028 over the back of the differential. See illustration 3.

4) Attach U-bolt to glide plate with the USS washers and nylock nuts from kit RS860643.

5) Tighten nylock nuts to 20 ft. lbs. Tighten hex nut against glide plate to 20 ft. lbs.

NOTE: Inspect cover for fluid leaks periodically. If a leak is detected, remove and reseal cover per manufacturer's recommendations.



Illustration 2

Torque Specs

Glide Plate to Diff Cover Bolts	20 ft. lbs
U-Bolt Nuts	20 ft. lbs

www.gorancho.com

Rancho Technical Department 1-734-384-7804.

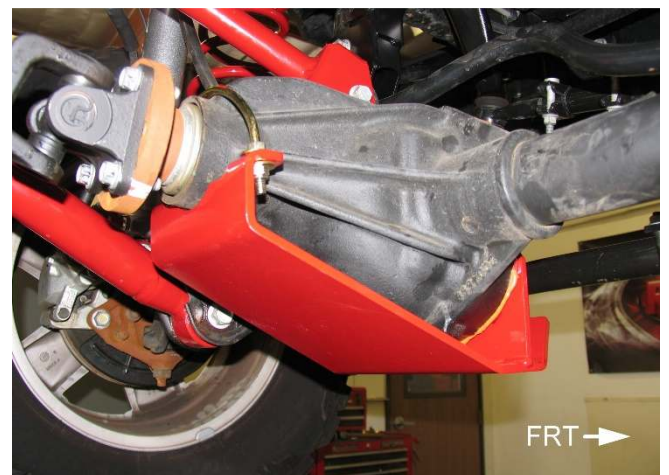


Illustration 3

