



Rancho Tube Door Kit

RS6216B Front Tube Door Fits 2007 and Newer Jeep JK
 RS6217B Rear Tube Door Fits 2007 and Newer Jeep JK

READ ALL INSTRUCTIONS THOROUGHLY FROM START TO FINISH BEFORE BEGINNING INSTALLATION

ATTENTION: Recommended for use with Quadratec #13111.0331, #13111.0332 or OEM non-power / heated mirrors only, (no wire harness included).

WARNING! This product is for slow speed, off-road use only. It is not intended as a safety restraint device. Always wear your seat belts and avoid sharp turns and other abrupt maneuvers. Please check state and local laws before installation.

RS6216B Front Door Kit

P/N	DESCRIPTION	QTY.
RS176536B	Left Front Tube Door	1
RS176537B	Right Front Tube Door	1
RS860609*	Sub Assy Latch	1
RS770171	Left Latch	1
RS770172	Right Latch	1
RS860621	Sub Assy , Latch Hardware	1
RS770223	Screw, 10-24 X 1/2" SS	8
RS770224	Nut, 10-24 Nylock	8
RS860611	Sub Assy, Front Door Hardware	1
RS7657	Nut, M10-1.50 Nylock	2
RS176542	Mirror Adapter Sleeve	4
RS770182	Sheet Metal Screw	2
RS770183	Rubber Bumper, 1"	2
RS860800	Sub Assy, Mirror Harware	1
RS770276	Screw, M8-1.25X50mm	4
RS770128	Washer, M8	4
RS88616	Instruction	1

RS6217B Rear Door Kit

P/N	DESCRIPTION	QTY.
RS176538B	Left Front Tube Door	1
RS176539B	Right Front Tube Door	1
RS860609*	Sub Assy Latch	1
RS770171	Left Latch	1
RS770172	Right Latch	1
RS860621	Sub Assy , Latch Hardware	1
RS770223	Screw, 10-24 X 1/2" SS	8
RS770224	Nut, 10-24 Nylock	8
RS860617*1	Sub Assy, Rear Door Hardware	1
RS7657	Nut, 10Mm-1.50 Nylock	2
RS770182	Sheet Metal Screw	2
RS770183	Rubber Bumper, 1"	2
RS88616	Instruction	1

*Service Part — may be purchased separately to replace worn components. Contact the Rancho Technical Department at 1-734-384-7804 for replacement.

¹Service Kit for RS6216B and RS6217B.

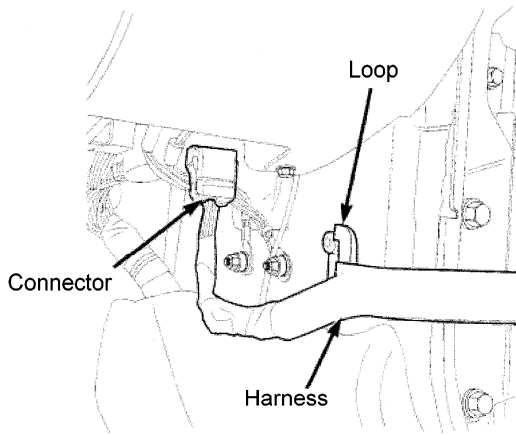


Illustration 1

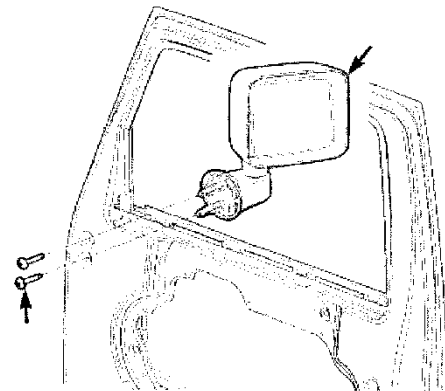


Illustration 2

REMOVAL:

NOTE: Front door shown in illustrations, rear door is similar.

- 1) Open door and disconnect the electrical connector from the pillar area. See Illustration 1.
- 2) Separate the retaining strap and harness from the loop.

- 3) Remove nuts from hinges. Lift door off hinges and remove.
- 4) If applicable, remove bolts and separate the mirror from the door. See Illustration 2.

INSTALLATION:

- 1) If applicable, attach mirror (none power) to front tube door with two sleeves (RS176452) and the supplied hardware. Tighten the bolts to 10 ft. lbs. See Illustration 3 and 4.
- 2) Using the supplied hardware, attach left latch to left door and right latch to right door. See Illustration 5.
- 3) Align pins on new tube door with body hinges. Insert pins into hinges. See Illustration 5 .
- 4) Attach top pin to hinge with the supplied nut. Tighten nut until play is removed from hinge and hinge still moves freely. Do not exceed 15 ft. lbs. If necessary, adjust door alignment.

5) Using rubber bumper RS770183 as a template, mark the best mounting location on the inside end of the tube door near the latch plate. Location will vary vehicle to vehicle.

6) Drill a 5/32" (#22 drill size) hole at the marked location. Attach bumper to tube door with the supplied sheet metal screw.

NOTE: Trimming bumper length may be necessary for a precise fit.

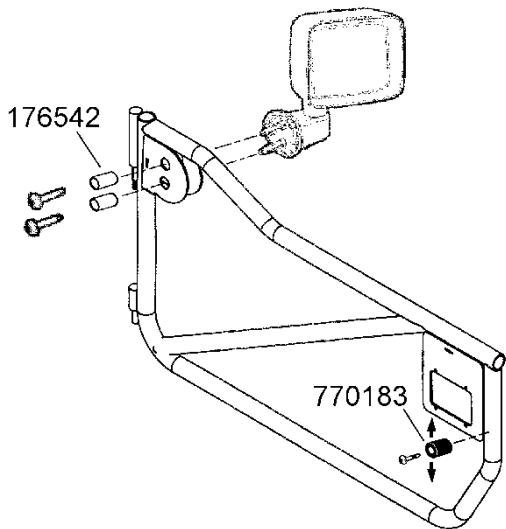


Illustration 3



Illustration 4



Illustration 5

Torque Specs

Mirror Mounting Screws	10 ft. lbs.
Door Hinge Nut	15 ft. lbs.