

RANCHO SKID PLATE KIT RS8708

For GM Trucks Equipped with Rancho Suspension System RS6548, RS6549, RS6550, or RS6551

READ ALL INSTRUCTIONS THOROUGHLY FROM START TO FINISH BEFORE BEGINNING INSTALLATION

1) Park vehicle on level ground. Set the parking brake and chock rear wheels. Raise the front of the vehicle and support the frame with jack stands.

NOTE: Lifting the front of the vehicle makes the removal and installation of the front pivot bolts easier.

2) Attach skid plate 176177 to skid plate frame 176227 with the supplied hardware. See parts illustration on back.

3) Remove the front pivot bolt from both lower control arms.

4) Attach the skid plate assembly to the front of the Rancho subframe with the new 5/8" hardware from kit 860431. See illustrations A. Do not tighten pivot bolts until vehicle is at normal ride height.

5) Hold the skid plate assembly against the bottom of the frame rails. Mark and center punch (toward the rear of the slotted hole) the upper mounting hole location on the bottom of each frame rail. Drill a 17/32" hole at each location.

6) Loosely attach the skid plate assembly to the frame rails with the supplied 1/2" hardware. See illustrations B.

7) Remove jack stands and lower the vehicle to the ground. Tighten the lower control arm pivot bolts to 107-ft. lbs., and then tighten the skid plate frame bolts to 65-ft. lbs.

8) For the Chevrolet Avalanche only:

- Using an existing hole, attach bracket 176199 to the fascia with the hardware from kit 860445. See illustration C.
- Drill a 3/8" hole through the skid plate using the bracket as a template. Attach bracket to skid plate.

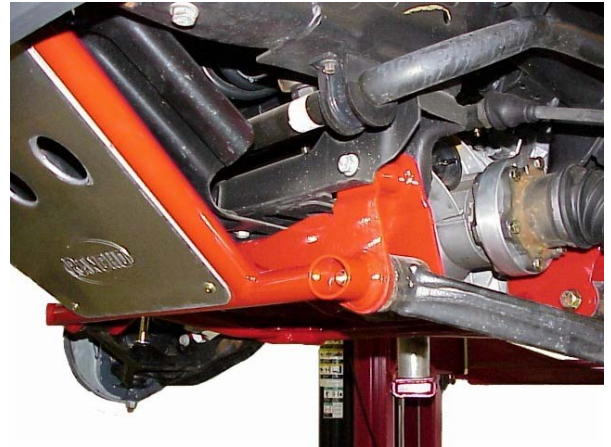


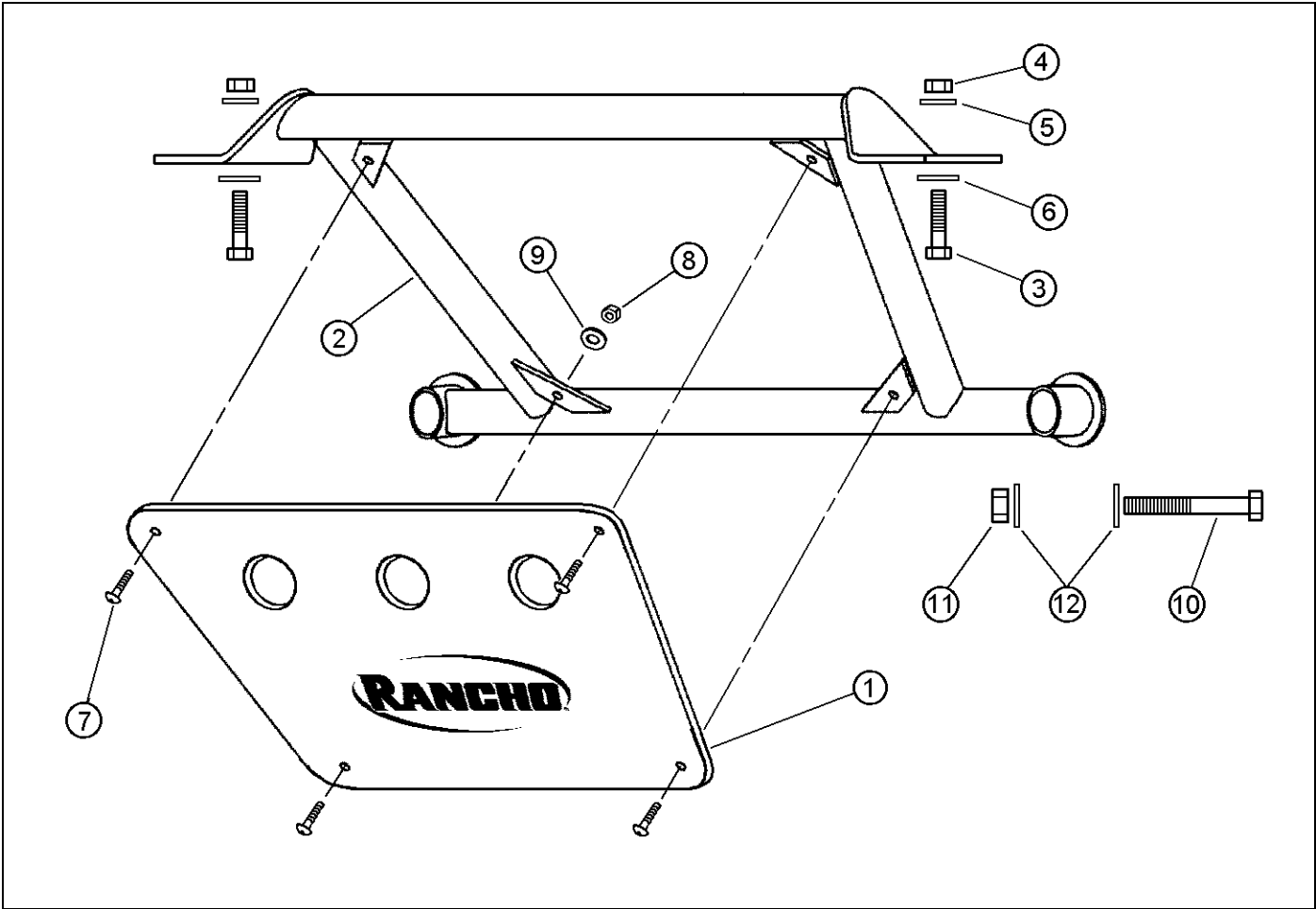
Illustration A



Illustration B



Illustration C



PARTS LIST

<u>ITEM NO.</u>	<u>PART NO.</u>	<u>DESCRIPTION</u>	<u>QUANTITY</u>
1	176177	Skid Plate	1
2	176227	Skid Plate Frame	1
	176199	Skid Plate Bracket (Avalanche)	1
	860431	Hardware Kit	1
3		1/2-13 x 1.50 HHCS	2
4		1/2-13 Stover Nut	2
5		1/2 SAE Washer	2
6		1/2 USS Washer	2
7		1/4-20 x .75 BHCS	4
8		1/4-20 Nyloc Nut	4
9		1/4 Washer	4
10		5/8-18 x 5.00 HHCS	2
11		5/8-18 Stover Nut	2
12		5/8 SAE Washer	4
	860445	Hardware Kit	1
		5/16-24 x 1.0 HHCS	2
		5/16-24 Nyloc Nut	2
		5/16 SAE Washer	4
	88078	Instruction	1
	94140	Consumer Information Pack	1