



## Rancho **LEVEL IT** System

RS66304R7 Fits 2015-2014 Chevrolet / GMC 1500 Pickup

RS66303R7 Fits 2013-2007 Chevrolet / GMC 1500 Pickup

READ ALL INSTRUCTIONS THOROUGHLY FROM START TO FINISH BEFORE BEGINNING INSTALLATION

This suspension system was developed using LT285/70R17 tires. Before installing any other size tire, consult your local tire and wheel specialist.

### Parts List

P/N	DESCRIPTION	QTY.
RS7831	Rancho Monotube Strut (RS66304R7)	2
RS7785	Rancho Monotube Strut (RS66303R7)	2
RS176782	Sway Bar Spacer	2
RS860804	Hardware Kit	1
RS7875	HHCS, 10MMX1.50X50MM GR 8.8	4
RS7755	Washer, 3/8 USS	4
RS770064	Washer, M10	4
RS89303	Instruction	1

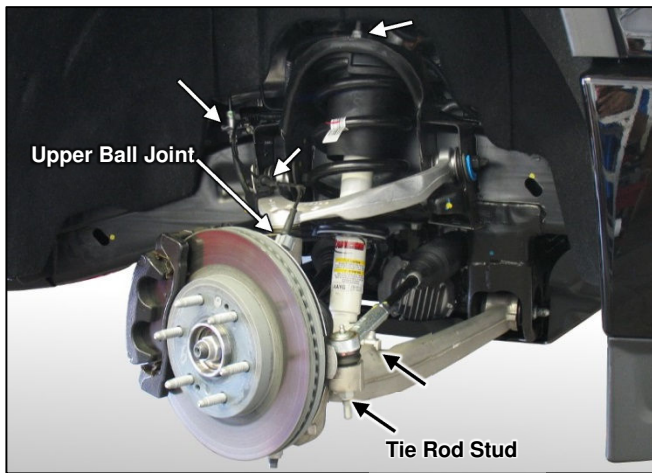


Illustration 1

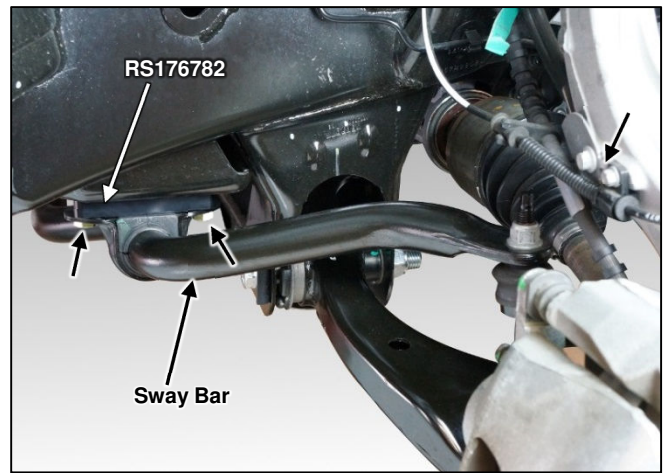


Illustration 2

### **STRUT REMOVAL**

- 1) Park the vehicle on a level surface. Set the parking brake and chock rear wheels.
- 2) Raise the front of the vehicle and support the frame with jack stands. Remove the front wheels and set them aside.
- 3) Remove sway bar at frame mount. Allow sway bar to hang from end links. See Illustration 2
- 4) Remove brake hose and ABS wire brackets from steering knuckle and frame. See Illustration 1 and Illustration 2
- 5) Loosen outer tie rod stud nut. Using appropriate puller, separate then remove tie rod stud from steering knuckle. See Illustration 1
- 6) Loosen upper ball joint stud nut. Using appropriate puller, separate then remove upper ball joint stud from steering knuckle. See Illustration 1

**⚠ WARNING:** CONTROL ARM WILL SPRING UP WITH GREAT FORCE WHEN BALL JOINT SEPARATES FROM KNUCKLE. USE PRY BAR TO HOLD DOWN AND SLOWLY LIFT BALL JOINT STUD OUT OF KNUCKLE. WHEN REMOVING BALL JOINT STUD NUT

- 7) Remove upper strut mounting nuts. See Illustration 1  
CAUTION: Do not turn center strut rod nut!
- 8) Remove lower strut mounting bolt. See Illustration 1
- 9) Remove strut from vehicle. If required pry strut out of lower mount.

### **STRUT REPLACEMENT**

- 1) Reference mark top mount, coil spring and strut. See Illustration 3

**⚠ WARNING:** SPRING IS UNDER COMPRESSION LOAD WHEN INSTALLED. ATTEMPTS TO REMOVE SPRING WITHOUT PROPERLY RESTRAINING THIS LOAD MAY RESULT IN INJURY. NEVER REMOVE THE CENTRAL LOCK NUT OF THE UPPER MOUNTING PARTS BEFORE THE SPRING IS COMPRESSED.

IF A SUITABLE SPRING COMPRESSOR TOOL IS NOT AVAILABLE, OR A QUALIFIED OPERATOR IS NOT AVAILABLE, MOST REPAIR SHOPS CAN SWAP THE COIL FOR A SMALL CHARGE.

- Using a suitable spring compressor tool, compress spring slightly to relieve initial tension.

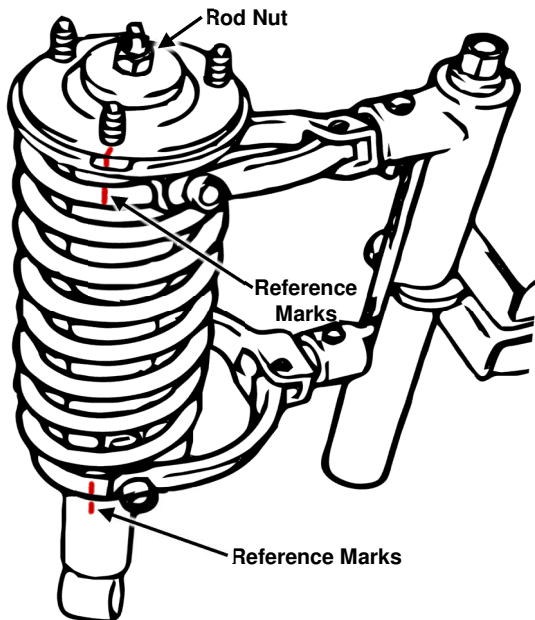


Illustration 3

- With initial spring tension relieved, loosen rod nut slightly. Compress spring until loose from lower spring seat and then completely remove nut. See Illustration 3
- Remove all upper mounting parts and spring from strut assembly; save for reuse. Inspect all original parts as removed for wear and damage. Obtain replacements when necessary.
- Note position of all parts as removed to ensure proper installation of replacement parts.
- Install supplied lower spring seat and retainer on new Rancho RS7000MT strut.

CAUTION: Follow instructions and warnings supplied with strut.

- Install strut on spring and upper mount assembly using reference marks to align components. Spring may need to be compressed more to fit new Rancho strut. Tighten center rod nut to OE specifications.

**⚠ WARNING:** DO NOT OVER TIGHTEN ROD NUT. EXCESSIVE TORQUE CAN DAMAGE THE THREADS ON THE NUT OR PISTON ROD. USE TORQUE VALUE FROM OE MANUFACTURER.

- Install strut in upper and lower mount on vehicle using OE hardware. Tighten hardware to OE specifications.
- Pry down upper control arm and attach upper ball joint stud to steering knuckle using OE hardware. Tighten hardware to OE specifications.
- Attach outer tie rod end to steering knuckle with OE hardware. Tighten hardware to OE specifications.
- Re-install brake hose and ABS wire brackets in original locations.

### SWAY BAR SPACER INSTALLATION

- Loosely install driver side sway bar mount with spacer RS176782 between mount and frame. Use supplied M10-1.50X50MM bolts and smaller M10 washers. See Illustration 2
- Install passenger side sway bar mount with spacer RS176782 between mount and frame.
- Torque hardware to OE specifications.
- Install front wheels and lower vehicle to ground. Tighten lug nuts to 140 ft. lbs.

### FINAL CHECKS & ADJUSTMENTS

- Turn the front wheels completely left then right. Verify adequate tire, wheel, and brake hose clearance. Inspect steering and suspension for tightness and proper operation.
- With the suspension at maximum extension (full droop), inspect and rotate all axles and drive shafts.
- Ensure that the vehicle brake system operates correctly.
- Readjust headlamps and have vehicle aligned at a certified alignment facility.

#### Recommended Alignment Specifications

Caster (degrees):  $4.5^{\circ} \pm 1.0^{\circ}$

Camber (degrees):  $0^{\circ} - \text{neg } .3^{\circ}$

Sum Toe In (degrees):  $.1^{\circ} \pm .2^{\circ} (.05''-.150'')$

#### Torque Specifications

	2013-2007	2015-2014
Strut Rod Nut	37 ft-lb.	37 ft-lb.
Upper Strut Mounting Nuts	37 ft-lb.	37 ft-lb.
Lower Strut Mounting Bolts	37 ft-lb.	37 ft-lb.
Tie Rod End Ball Stud Nut	44 ft-lb.	26 ft-lb.+90°*
Upper Ball Joint Nut	37 ft-lb.	37 ft-lb.+100°*
Sway Bar Mounting Bolts	37 ft-lb	37 ft-lb
Wheel Lug Nuts	140 ft-lb	140 ft-lb

\* Torque fastener to specification, then turn nut specified amount